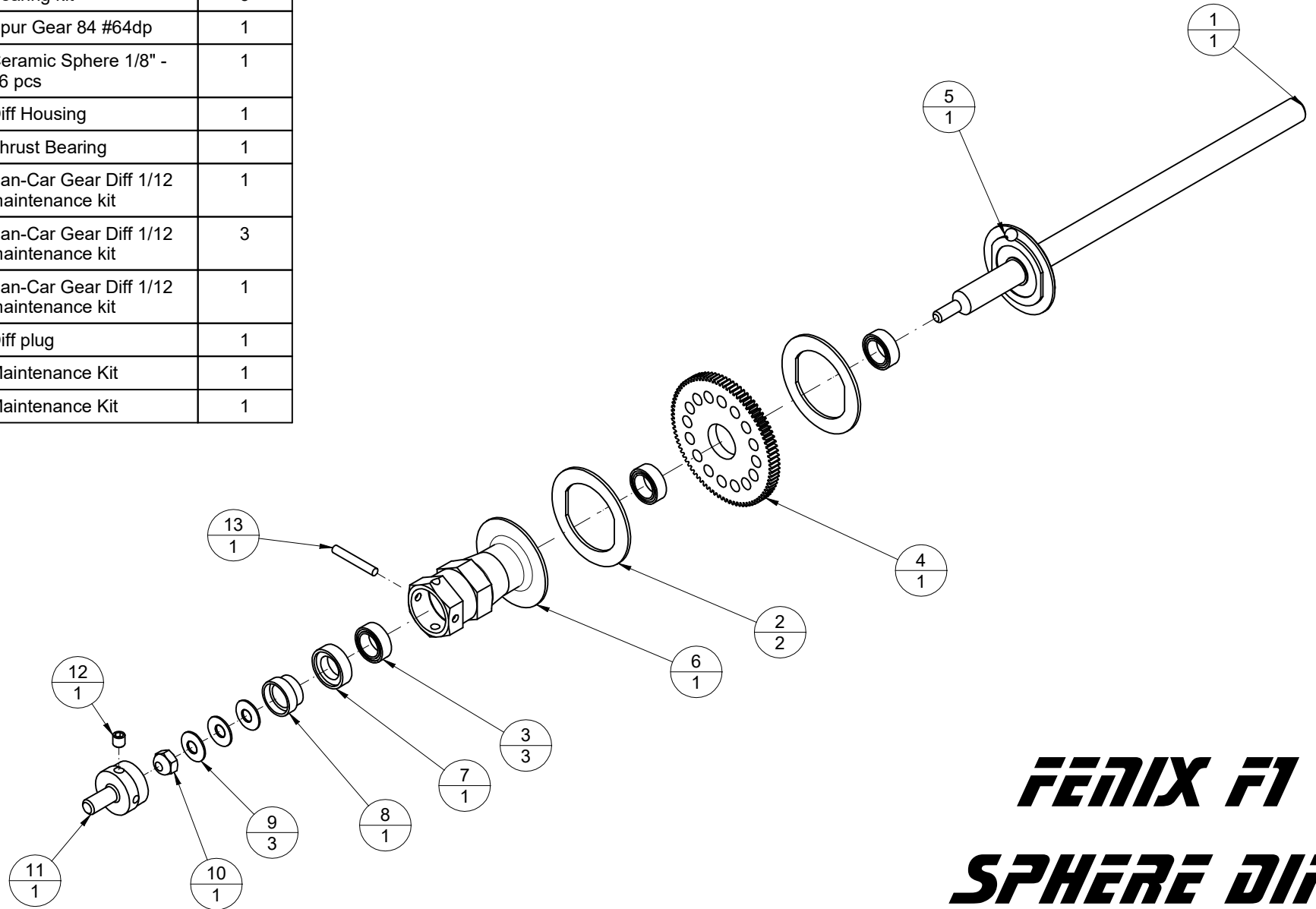


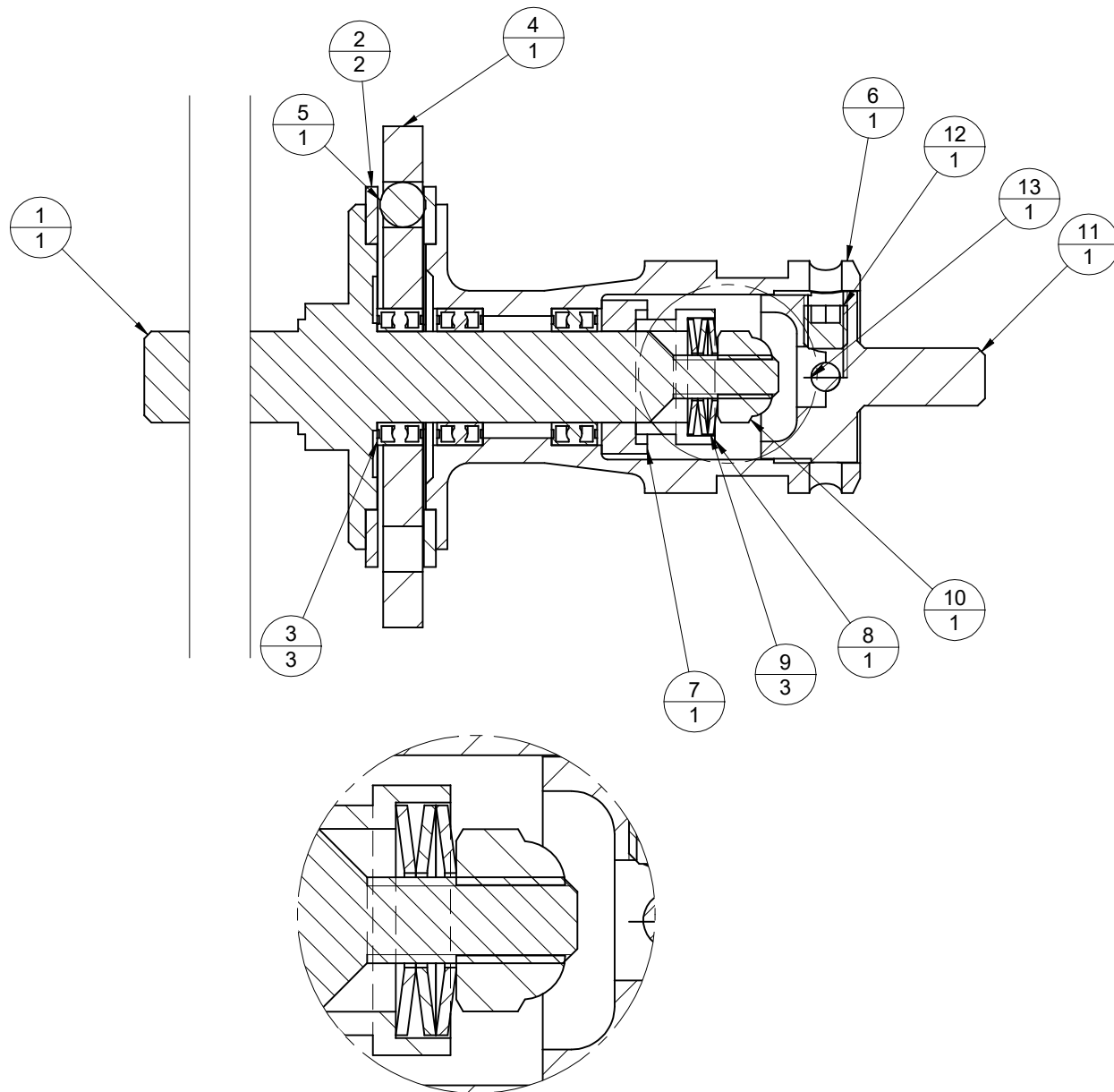
Item	CPN	Description	QTY
1	FX0043D	Titanium axle with Ring holder	1
2	F1-007S	Diff plate	2
3	DGD023	Bearing kit	3
4	FD4-84	Spur Gear 84 #64dp	1
5	FX0043C	Ceramic Sphere 1/8" - 16 pcs	1
6	FX0043B	Diff Housing	1
7	FX0043A	Thrust Bearing	1
8	DGD022-12	Pan-Car Gear Diff 1/12 maintenance kit	1
9	DGD022-12	Pan-Car Gear Diff 1/12 maintenance kit	3
10	DGD022-12	Pan-Car Gear Diff 1/12 maintenance kit	1
11	DGD013	Diff plug	1
12	DGD021	Maintenance Kit	1
13	DGD021	Maintenance Kit	1

NOTE:

Please, be aware that bearings in FX0043B are rather tight in their site. It might take some effort to put them in and take them out.



FENIX F1
SPHERE DIFF
 *



Item	CPN	Description	QTY
1	FX0043D	Titanium axle with Ring holder	1
2	F1-007S	Diff plate	2
3	DGD023	Bearing kit	3
4	FD4-84	Spur Gear 84 #64dp	1
5	FX0043C	Ceramic Sphere 1/8" - 16 pcs	1
6	FX0043B	Diff Housing	1
7	FX0043A	Thrust Bearing	1
8	DGD022-12	Pan-Car Gear Diff 1/12 maintenance kit	1
9	DGD022-12	Pan-Car Gear Diff 1/12 maintenance kit	3
10	DGD022-12	Pan-Car Gear Diff 1/12 maintenance kit	1
11	DGD013	Diff plug	1
12	DGD021	Maintenance Kit	1
13	DGD021	Maintenance Kit	1

NOTE:

Please, be aware that bearings in FX0043B are rather tight in their site. It might take some effort to put them in and take them out.

FENIX F1
SPHERE DIFF